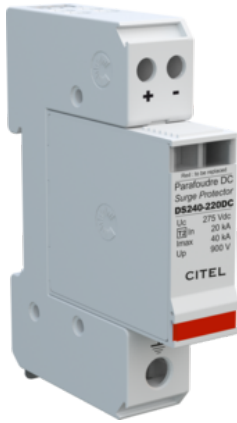
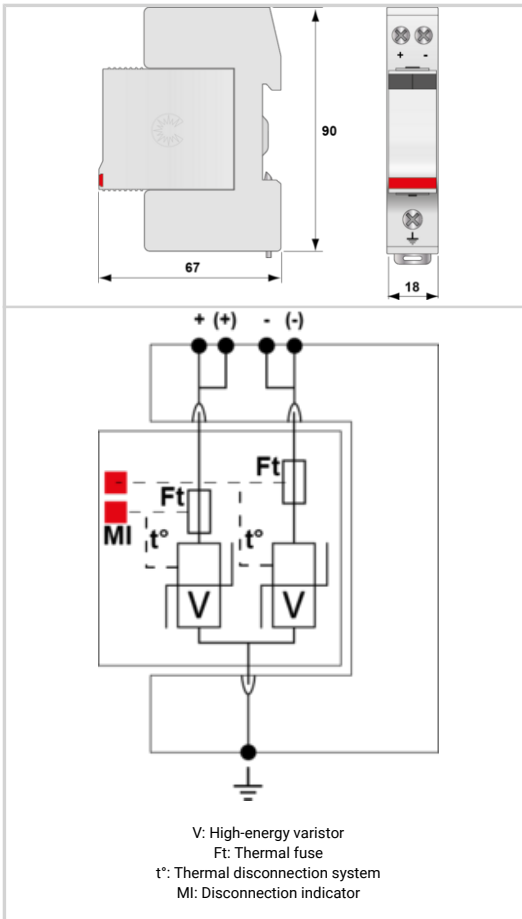


## DS240-220DC



- DC or PV power surge protector
- 220 Vdc
- Compact design
- I<sub>max</sub>: 40 kA
- Pluggable module
- Remote signaling (option)
- Very low U<sub>p</sub> protection level



Electrical Characteristics	
SPD type	2
Network	DC or PV network 220Vdc
Nominal DC voltage	Un-dc 220 Vdc
Nominal PV voltage	Uocstc 220 Vdc
Max. AC operating voltage	Uc 210 Vac
Max. PV operating voltage	Ucpv 275 Vdc
Max. DC operating voltage	Uc 275 Vdc
Max. load current	IL 20 A
Residual Current Leakage current to Ground	Ipe < 0.1 mA
PV Permanent Operating current Current consumption at Ucpv	Icpv < 0.1 mA
Follow current	If None
Nominal discharge current 15 x 8/20 μs impulses	In 20 kA
Max. discharge current max. withstand @ 8/20 μs by pole	I <sub>max</sub> 40 kA
Total Maximum discharge current max. total withstand @ 8/20 μs	I <sub>max</sub> Total 80 kA
Current withstand short circuit PV	Iscpv 1000 A
Connection mode(s)	+/-PE
Protection mode(s)	Common mode/Differential mode
Protection level +/-PE (-/PE)@ In (8/20μs)	Up 900 V
Mechanical Characteristics	
Technology	MOV
SPD configuration	2-poles
Connection to Network	By screw terminals: 1.5-10mm <sup>2</sup> (actives wires) and 2.5-25mm <sup>2</sup> (ground)
Format	Plug-in modular box
Mounting	Symmetrical rail 35 mm (EN 60715)
Housing material	Thermoplastic UL94 V-0
Operating temperature	Tu -40/+85°C
Protection rating	IP20
Outdoor application	No
Failsafe mode	Disconnection from DC network
Disconnection indicator	2 mechanical indicators
Spare module(s)	DSM240-220DC
Remote signaling of disconnection	Option DS240S-220DC : output on changeover contact
Dimensions	See diagram
Weight	0.123 kg
Disconnectors	
Thermal disconnector	Internal
Fuses	Fuses type gG - 20A
Standards	
Standards compliance	IEC 61643-11 / EN 61643-11 / UL1449 ed.5
Certification	UL Recognized
Part number	
310201	