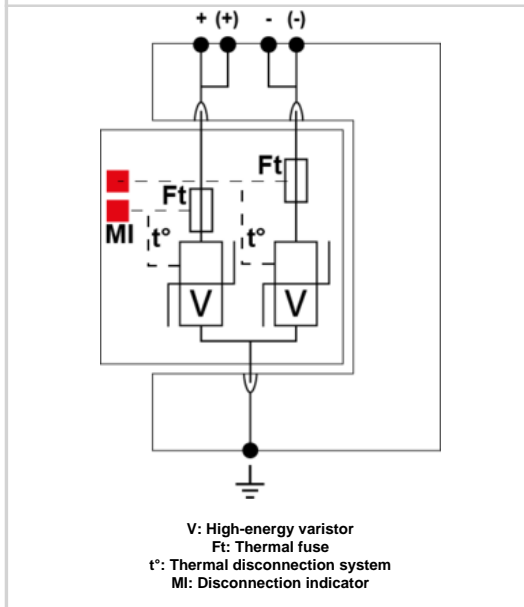
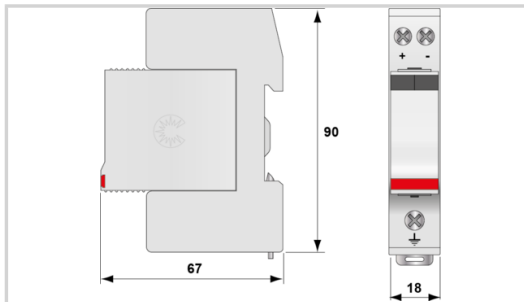


DS240-110DC



- DC or PV power surge protector
- 110 Vdc
- Compact design
- I_{max}: 40 kA
- Pluggable module
- Remote signaling (option)
- Very low U_p protection level



Electrical Characteristics	
SPD type (following IEC tests)	2
Network	DC or PV network 110Vdc
Nominal DC voltage	Un-dc 110 Vdc
Nominal PV voltage	Uocstc 110 Vdc
Max. AC operating voltage	Uc 115 Vac
Max. PV operating voltage	Ucpv 150 Vdc
Max. DC operating voltage	Uc 150 Vdc
Max. load current	IL 20 A
Residual Current (Leakage current to Ground)	Ipe < 0.1 mA
PV Permanent Operating current (Current consumption at Ucpv)	Icpv < 0.1 mA
Follow current	If None
Nominal discharge current (15 x 8/20 μs impulses)	In 20 kA
Max. discharge current (max. withstand @ 8/20 μs by pole)	I _{max} 40 kA
Total Maximum discharge current (max. total withstand @ 8 /20 μs)	I _{max} Total 80 kA
Current withstand short circuit PV	Iscpv 1000 A
Connection mode(s)	+/-/PE
Protection mode(s)	Common mode
Protection level +/-PE (-/PE)(@ In (8/20μs))	Up 500 V
Mechanical Characteristics	
Technology	MOV
SPD configuration	2 poles
Connection to Network	By screw terminals: 1.5-10mm ² (actives wires) and 2.5-25mm ² (ground)
Format	Plug-in modular box
Mounting	Symmetrical rail 35 mm (EN 60715)
Housing material	Thermoplastic UL94 V-0
Operating temperature	Tu -40/+85°C
Protection rating	IP20
Failsafe mode	disconnection from DC line
Disconnection indicator	2 mechanical indicators
Spare module(s)	DSM240-110DC
Remote signaling of disconnection	Option DS240S-110DC : output on changeover contact
Dimensions	See diagram
Disconnectors	
Thermal disconnector	Internal
Fuses	Fuses type gG - 50 A
Standards	
Standards compliance	IEC 61643-11 / EN 61643-11 / UL1449 ed.4
Certification	UL / EAC / TUV
Part number	
310701	